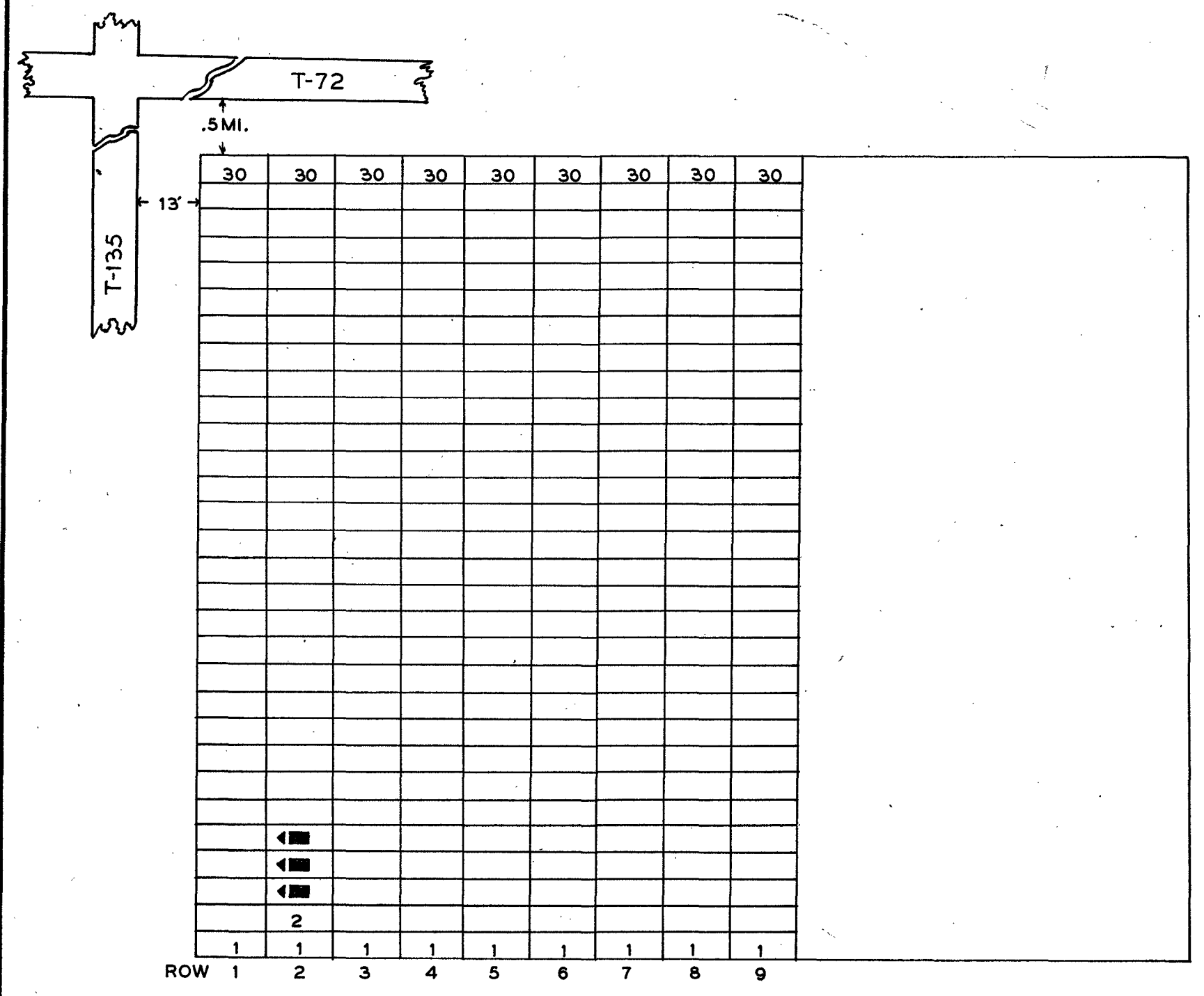


Microfilmed
March
1982

NAME
MOUNT HENRY U.
MOUNTS ASA R.
MOUNTS TAYLOR N.

SEC	L	R	G	W
2		5	19	
2		3	19	
2		4	19	

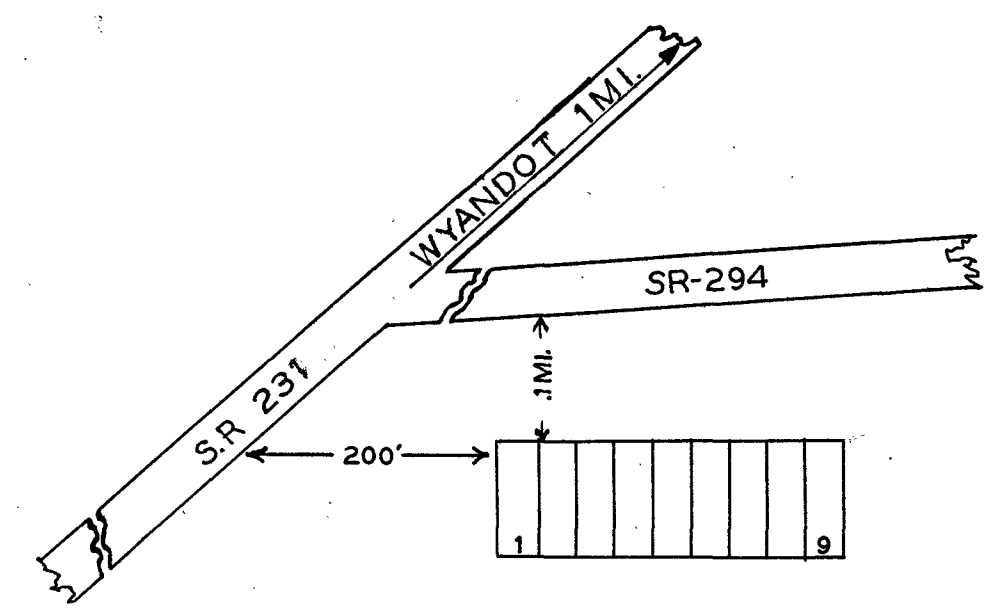


MASADONIA CEMETERY
WYANDOT CO. ANTRIM TWP.
OFFICIAL PROJECT NOS. 465-42-3-467&665-42-3-232

LEGEND
① REVOLUTIONARY WAR
⑩ WAR OF 1812
⑯ MEXICAN WAR
⑰ CIVIL WAR
⑳ SPANISH AM. WAR
㉑ WORLD WAR

SCALE 1" = 20' .3 ACRE

88-1-3



LEGEND
SEC-SECTION L-LOT R-ROW
G-GRAVE W-WAR
*-POSITION UNKNOWN

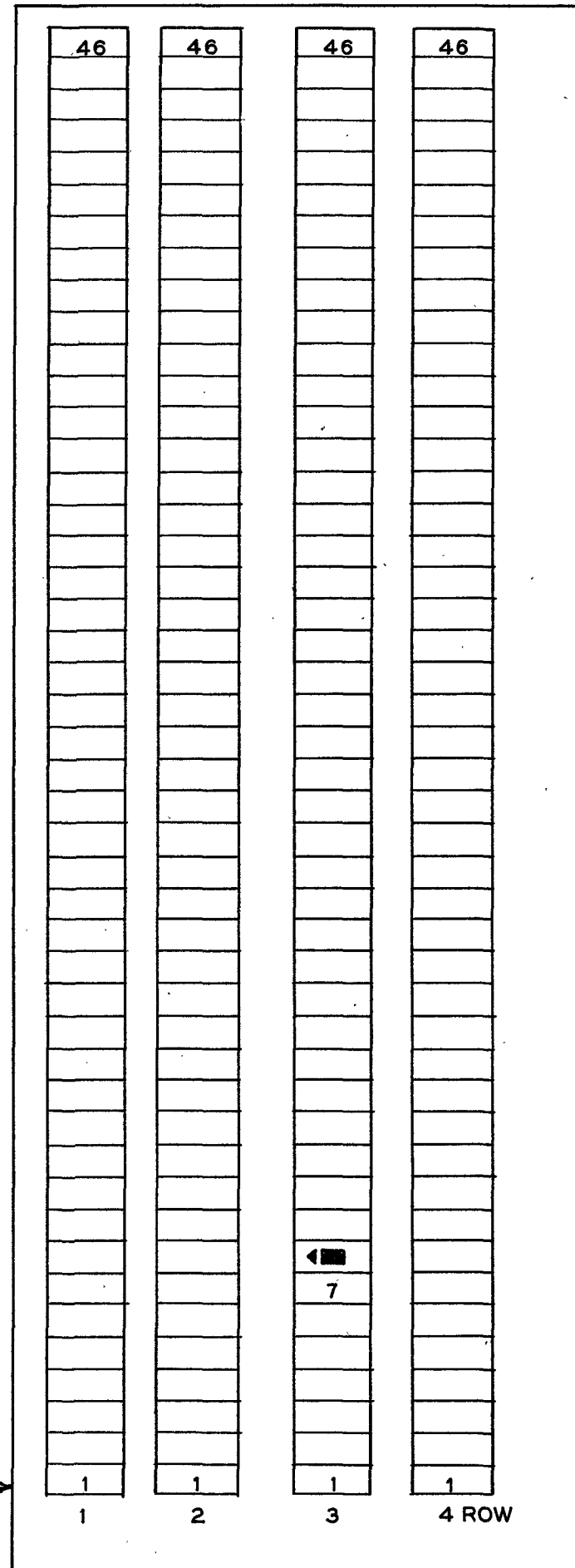
DRAKE CEMETERY
WYANDOT CO. ANTRIM TWP.
OFFICIAL PROJECT NOS. 465-42-3-467&665-42-3-232

LEGEND
① REVOLUTIONARY WAR
⑩ WAR OF 1812
⑯ MEXICAN WAR
⑰ CIVIL WAR
⑳ SPANISH AM. WAR
㉑ WORLD WAR

SCALE 1" = 20' .1 ACRE

88-1-4

NAME
SEC L R G W
3 8 19

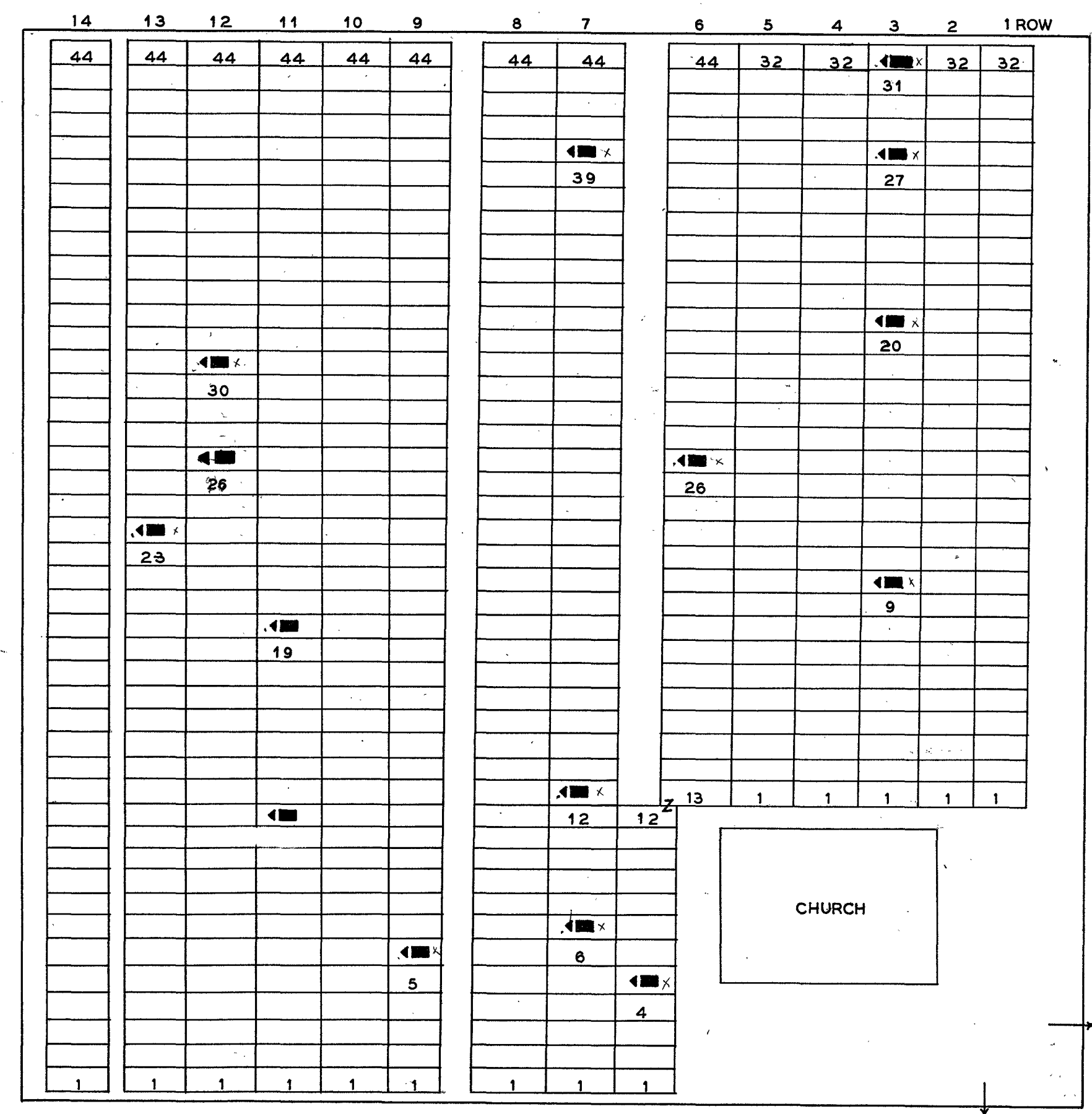


KEAR CEMETERY
WYANDOT CO. TYMOCHTEE TWP.
OFFICIAL PROJECT NOS. 465-42-3-467&665-42-3-232

LEGEND
① REVOLUTIONARY WAR
⑩ WAR OF 1812
⑯ MEXICAN WAR
⑰ CIVIL WAR
⑳ SPANISH AM. WAR
㉑ WORLD WAR

SCALE 1" = 20' .32 ACRE

88-13-7



NAME	SEC	L	R	G	W
BACHTELL URIAH.	9	6	19		
CALDWELL HENRY C.	6	27	19		
CARR RANSON.	7	13	19		
COIL JAMES M.	13	24	19		
DITTY M A.	11	20	19		
GOOD DANIEL.	12	31	19		
GOOD DAVID.	7	40	19		
JOHNS G H.	6	5	19		
NAFGZAR CHRISTIAN.	3	21	19		
NUTTER ISAAC.	3	10	19		
SMITH DANIEL.	12	27	19		
WILLIAMS DAVID.	3	32	19		
WILLIAMS JNO.	3	28	19		
YOUNG N B.	7	7	19		

BURKE CEMETERY
WYANDOT CO. ANTRIM TWP.
OFFICIAL PROJECT NOS. 465-42-3-467&665-42-3-232

LEGEND
① REVOLUTIONARY WAR
⑩ WAR OF 1812
⑯ MEXICAN WAR
⑰ CIVIL WAR
⑳ SPANISH AM. WAR
㉑ WORLD WAR

SCALE 1" = 20' .75 ACRE

88-1-2